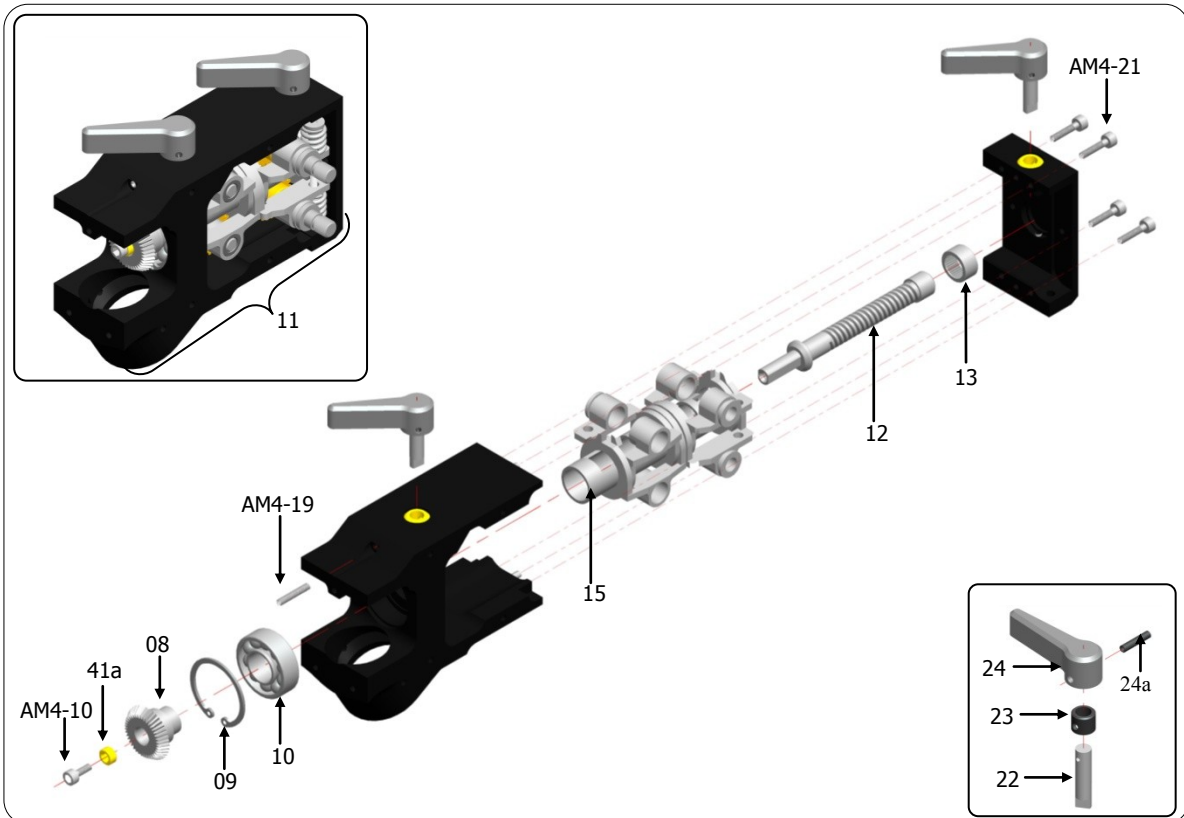
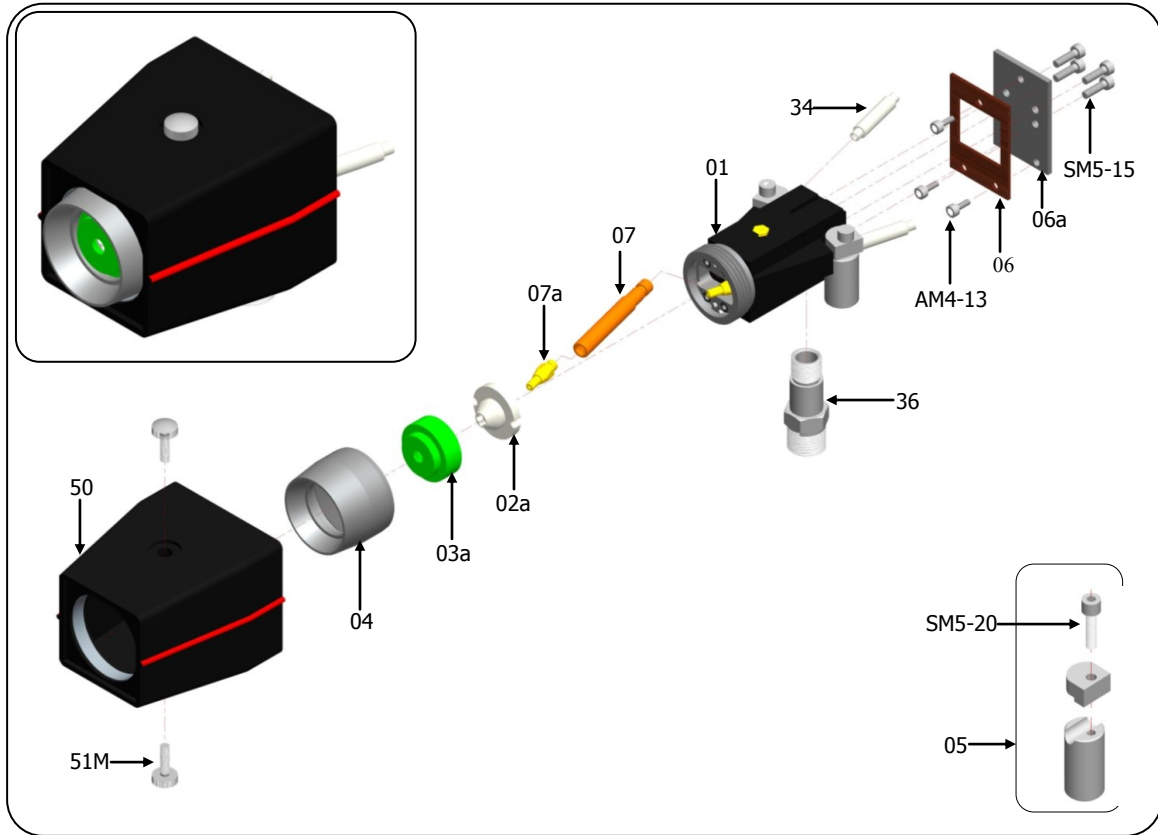


# ARCJET 96 GUN—REPLACEMENT SPARES



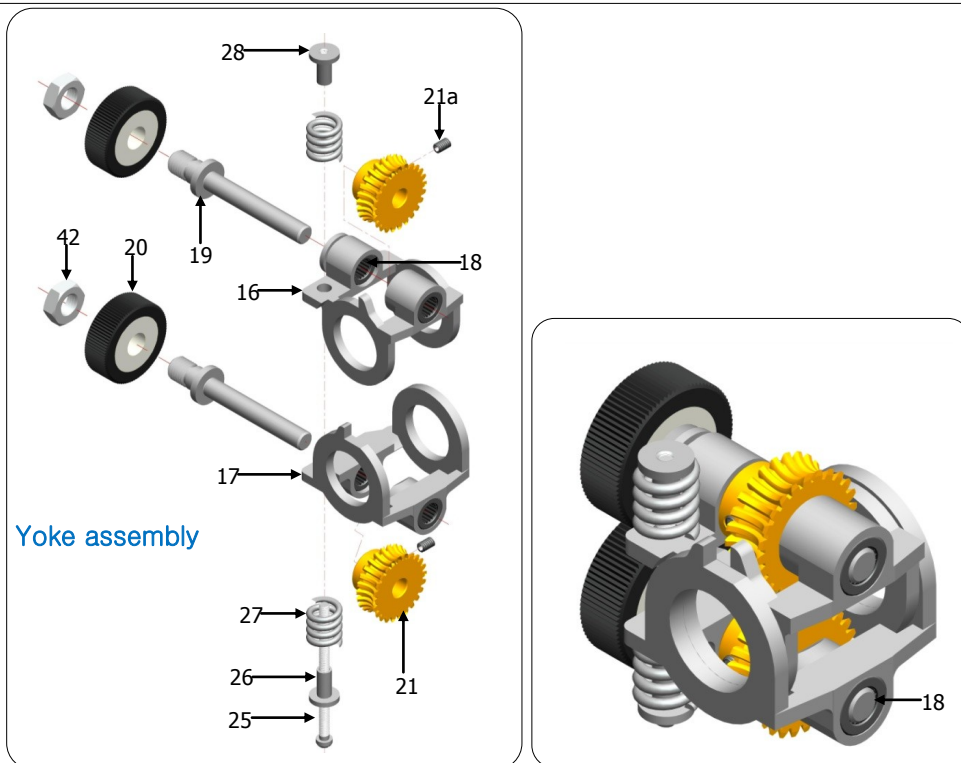
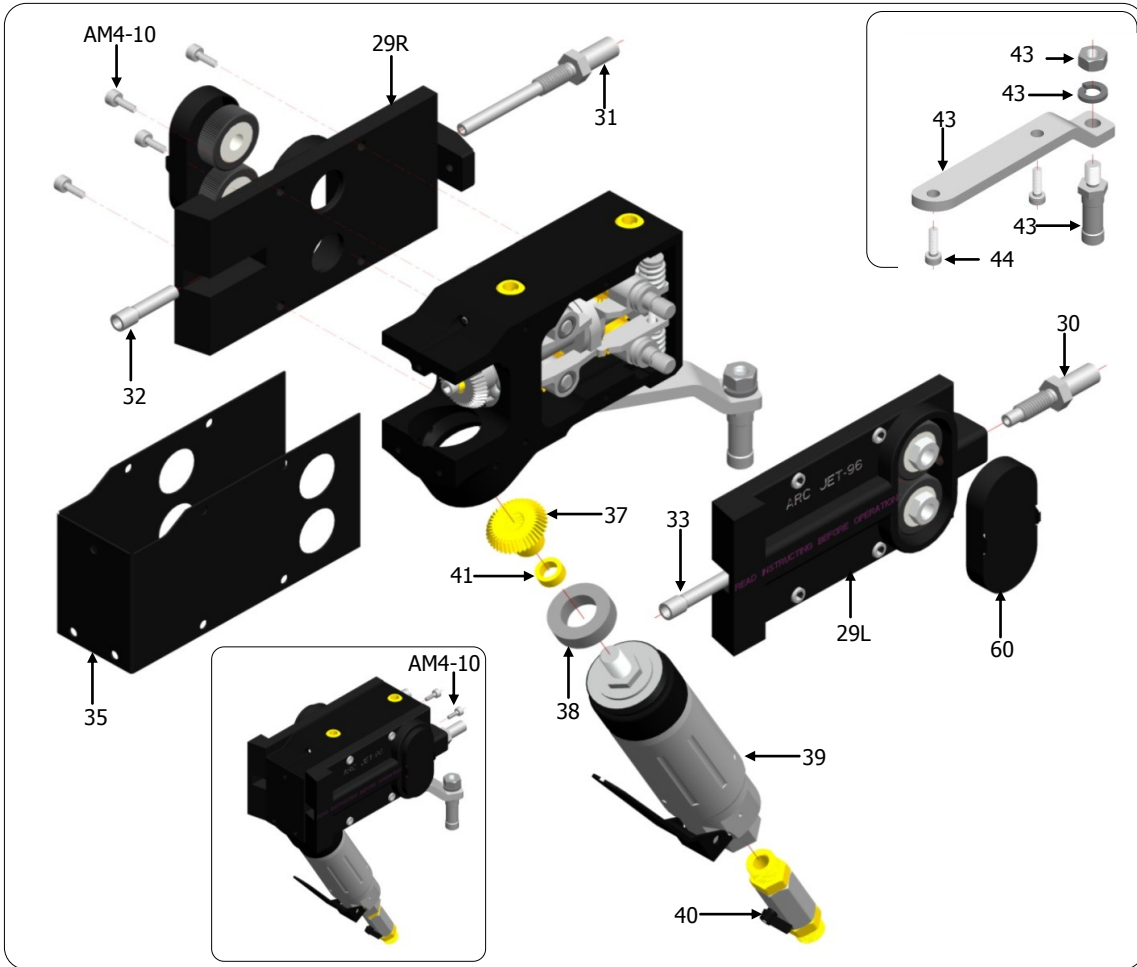
## PART LIST OF ARCJET 96 GUN



MEC PART No.	DESCRIPTION
01	Close head
02	Nozzle / positioner – long slot
02a	Nozzle / positioner – long cross slot
02b	Nozzle / positioner – short slot
02c	Nozzle / positioner – short cross slot
03	Nozzle cap golden
03a	Nozzle cap green
03b	Nozzle cap red
03c	Nozzle cap blue
04	Protective cap
05	Terminal assembly
06	Insulator seat
06a	Mounting plate
07	Contact tube
07a	Contact tip 1.6mm
07b	Contact tip 2.0mm
07c	Contact tip 2.5mm
07d	Contact tip 3.175mm
07a-c	Contact tip 1.6mm (Extended Life)
07b-c	Contact tip 2.0mm (Extended Life)
07c-c	Contact tip 2.5mm (Extended Life)
07d-c	Contact tip 3.175mm (Extended Life)
50	Hood
51M	Hood mounting screw
SM5-15	Head fixing screw
SM5-20	Terminal fixing screw
AM4-13	Head mounting screw

MEC PART No.	DESCRIPTION
08	Drive gear steel
09	Front bearing retainer
10	Front bearing
11	Bevel gear drive box
12	Worm shaft
13	Rear bearing
15	Yoke support tube
22	Lever cam shaft
23	Lever bush
24	Roller opening lever
24a	Lever locating pin
41 a	Drive gear screw washer
AM4-10	Drive gear screw
AM4-21	Screw
AM4-19	Lever locking screw

# ARCJET 96 GUN—REPLACEMENT SPARES



## PART LIST OF ARCJET 96 GUN



MEC PART No.	DESCRIPTION
29R	Right hand side cover plate
29L	Left hand side cover plate
30	Short rear wire guide
31	Long rear wire guide
32	Short front wire guide
33	Long front wire guide
35	Gasket
37	Drive gear
38	Exhaust ring
39	Air motor 2500 rpm
39a	Air motor 1000 rpm
40	Air cock
41	Washer
43	Gun holding clamp
43a	Mounting stud
43b	Mounting stud lock washer
43c	Nut
44	Clamp fixing screw
60	Roller cover
16	Inner yoke
17	Outer yoke
18	Yoke bearing
19	Roller shaft
20	Wire roller assembly
21	Worm wheel
21a	Worm wheel retaining pin
25	Tension screw
26	Plain spring support
27	Tension spring
28	Threaded spraying support
42	Fixing nut for wire roller