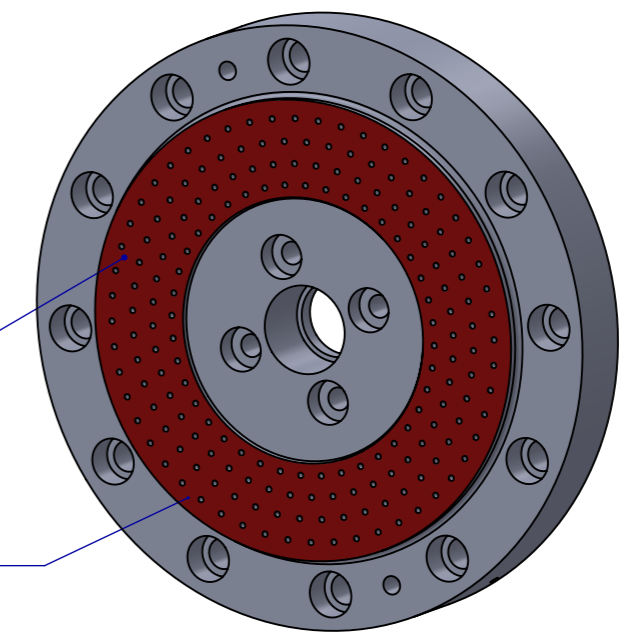


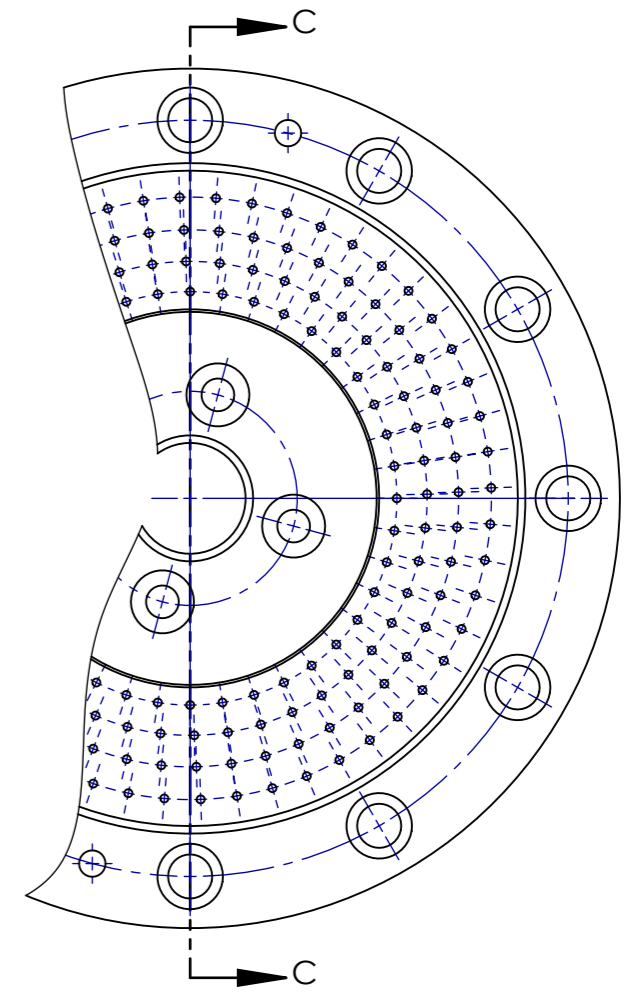
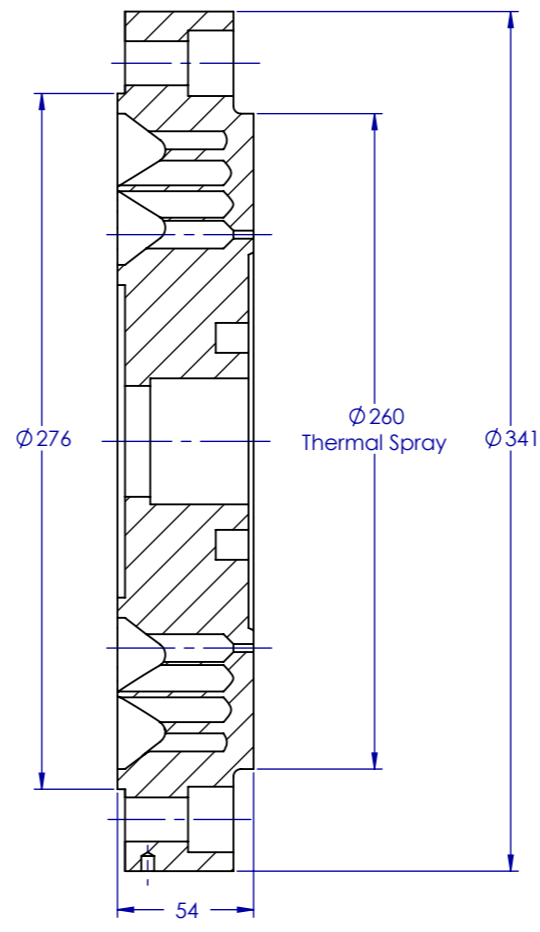
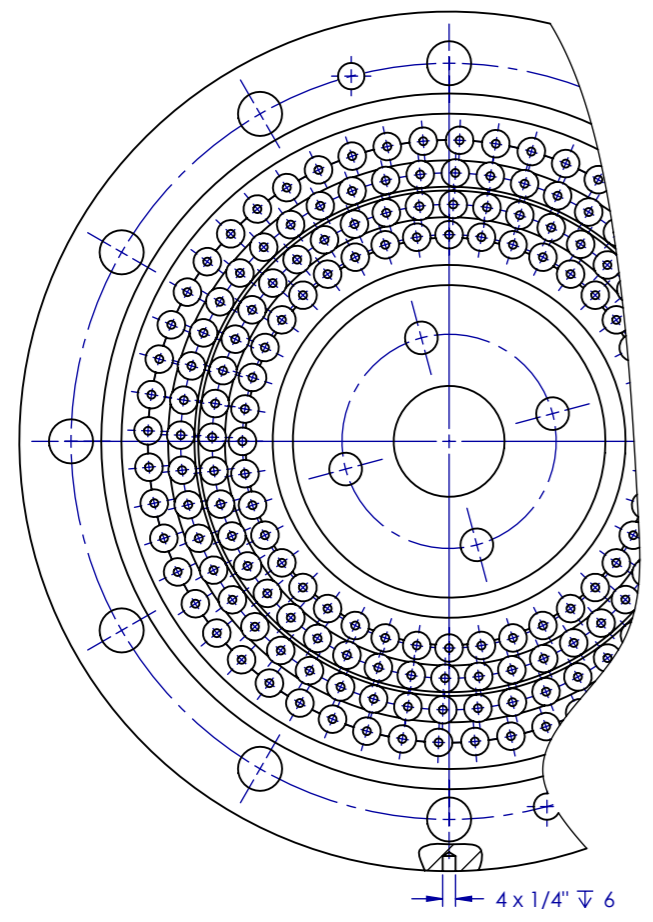
Surface Hardened
58-59 HRC

Red colour coating by
Thermal Spray

- Application:
1. High Temp
 2. High Wear & Friction
 3. High Corrosion



SECTION C-C



	DRAWING NAME	<i>Detail Thermal Spray</i>	NOTE MAT: BOHLER K110		NO. DWG				REVISION
	UNITS	mm							
	DATE				JOB REQ.	DRAWN	CHECKED	APPROVED	